

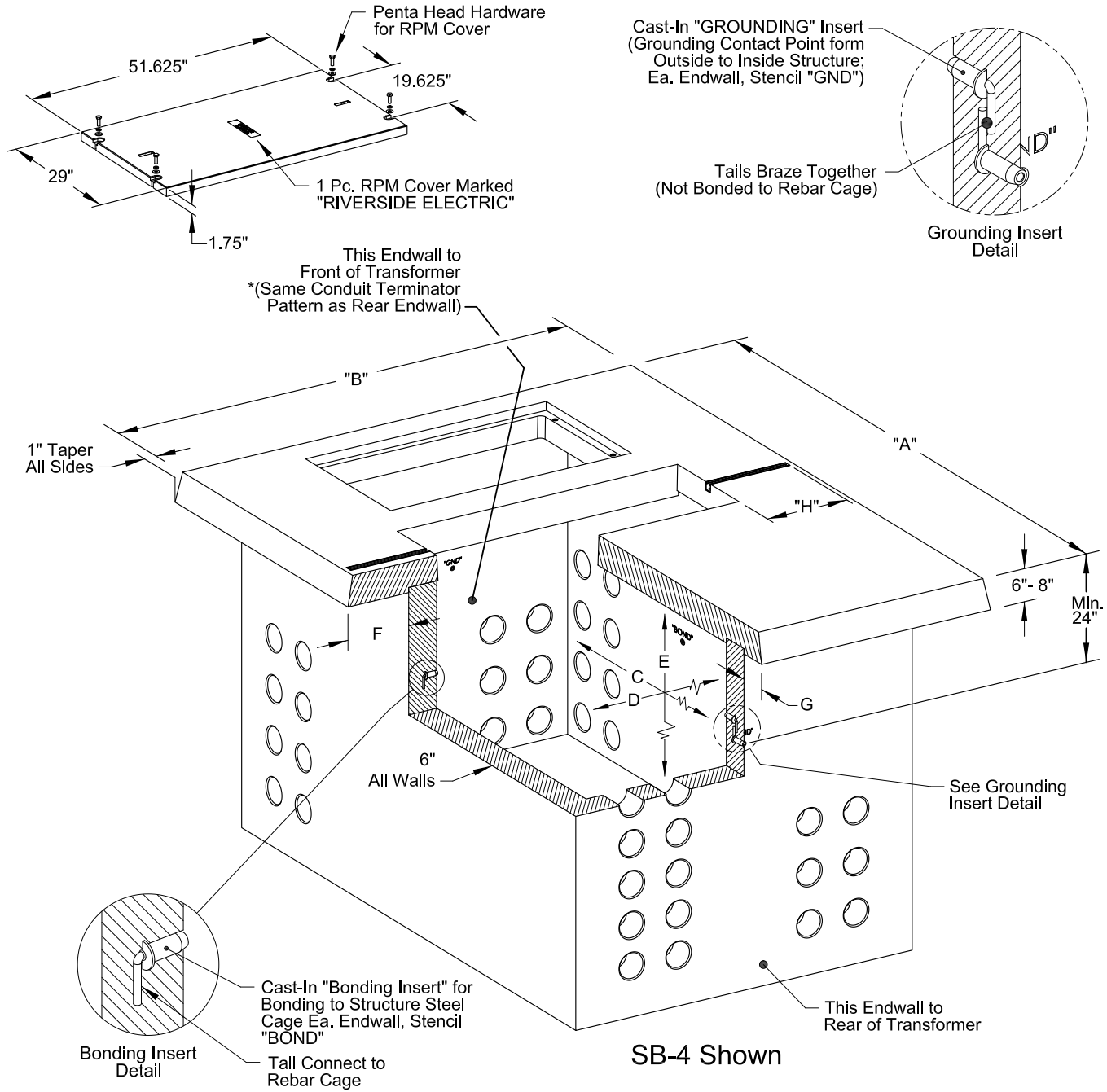
SLAB BOX THREE PHASE PAD MOUNTED TRANSFORMERS SB-3, SB-4

REVISION: Updated Notes to Include Provisions for Pull Irons & Cable Racking

CHECKED BY (ENGINEERING): SJ
 DATE: 08/24/17

CHECKED BY (FIELD): JH

APPROVED BY: *Stephen E. Saford*



Item No.	Size	Concrete Structure Specs.						1-5/8" Unistrut Length	
		Slab		Box		Overhang			
		A	B	C	D	E	F		G
2	SB-3	96"	78"	78"	48"	50"	10"	6"	13"
3	SB-4	120"	96"	102"	60"	60"	13"	6"	17.25"

- Notes:
- See UGS-010.1 for SB-2 Details.
 - See UGS-010 for RPU Approved manufacturers of precast slab-box structures and catalog numbers.
 - See Page 2 & 3 for additional details & dimensions.
 - Orientation of bottom section is critical when installing (in relation to front of transformer), verify working drawings prior to setting structure.
 - Pull Irons to be located above and below duct bank, style and placement may vary.

SLAB BOX THREE PHASE PAD MOUNTED TRANSFORMERS SB-3, SB-4

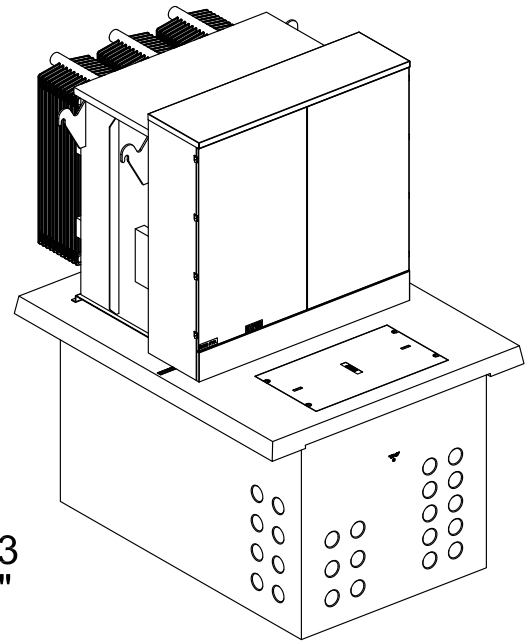
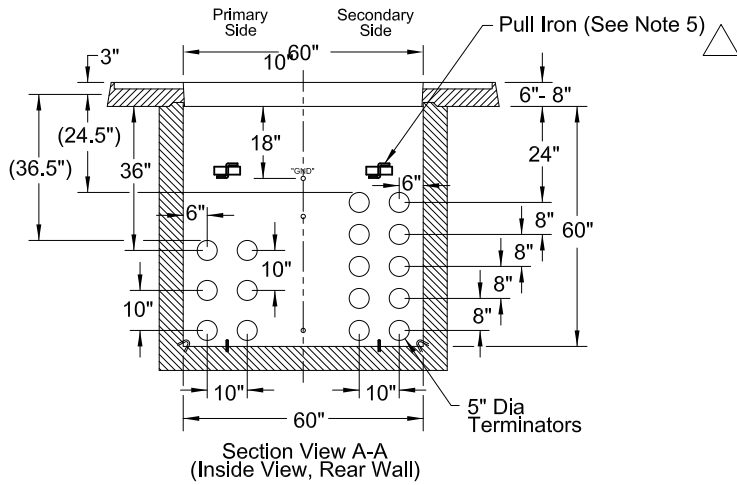
REVISION: Updated Notes to Include Provisions for Pull Irons & Cable Racking

CHECKED BY (ENGINEERING): SJ
 DATE: 08/24/17

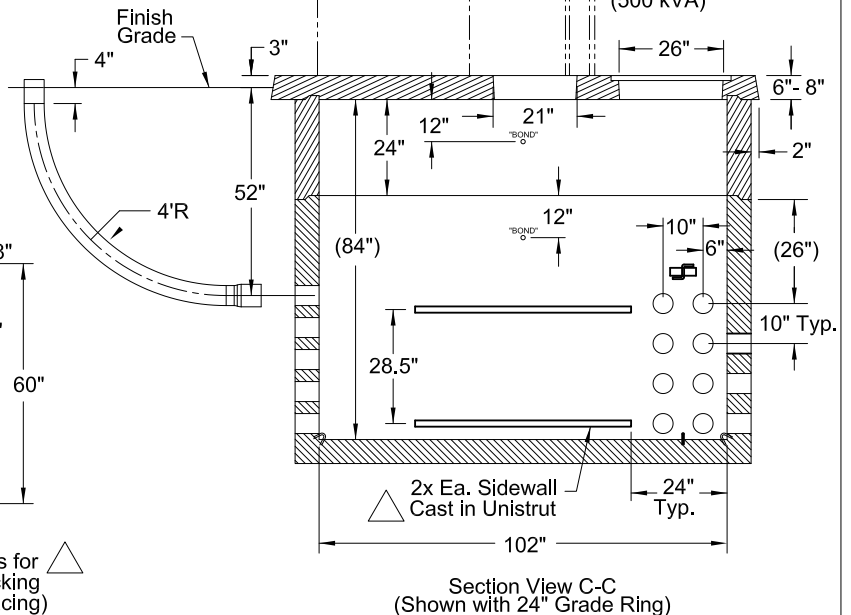
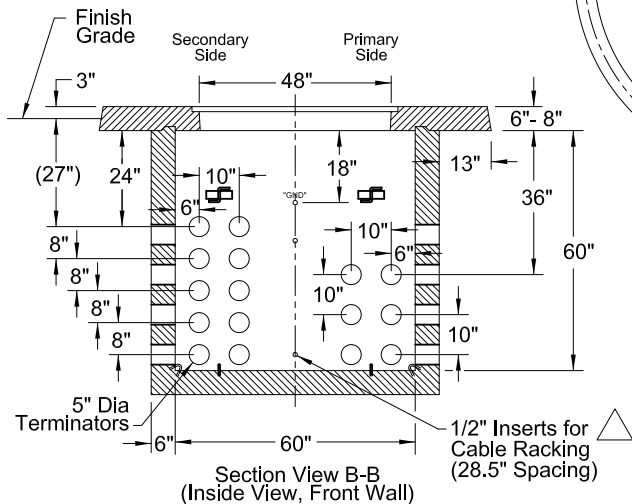
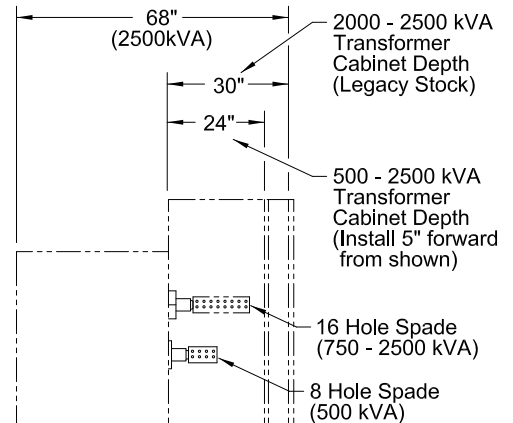
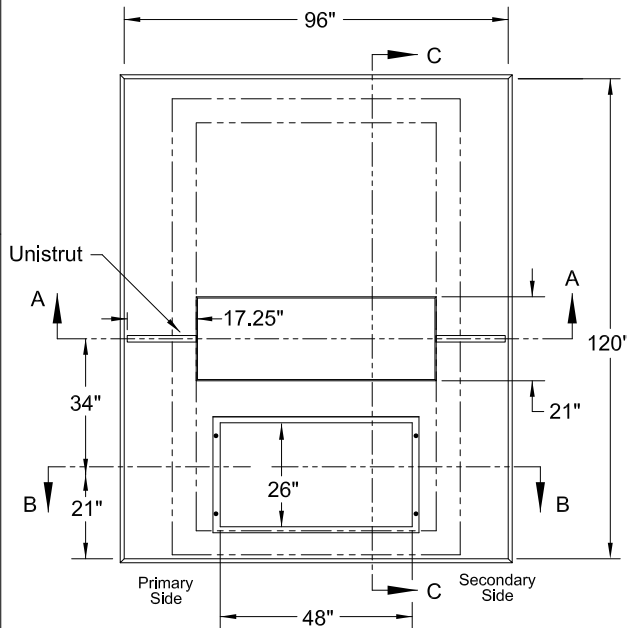
CHECKED BY (FIELD): JH

PREPARED BY: SJR

APPROVED BY: *Stephen E. Saford*



Item #3 "SB-4"



SLAB BOX THREE PHASE PAD MOUNTED TRANSFORMERS SB-3, SB-4

REVISION: Updated Notes to Include Provisions for Pull Irons & Cable Racking

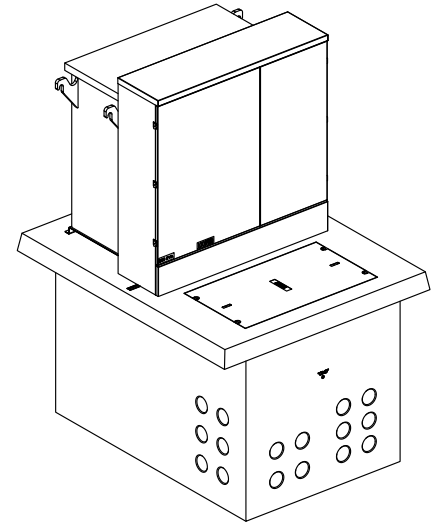
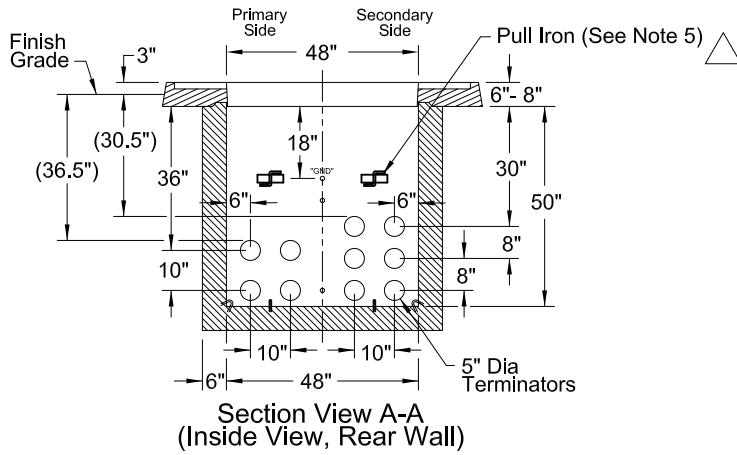
CHECKED BY (ENGINEERING): SJ

DATE: 08/24/17

CHECKED BY (FIELD): JH

APPROVED BY: *Stephen E. Saford*

PREPARED BY: SJR



Item #2 "SB-3"

